

G5L Series High-Current Micro Switch



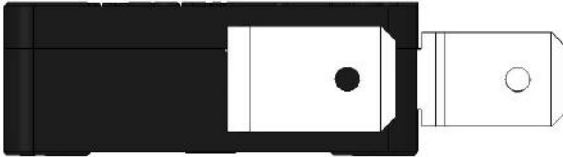
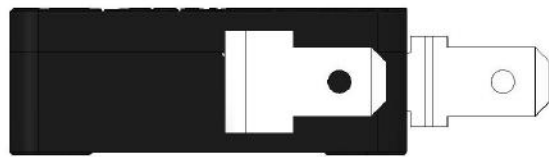

■ Features

- The G5L series micro switch with high current is designed for power tools.
- Small compact size, tight configuration, big compact space, safe and high reliability.
- Main applied in the power tools, etc.
- Variety of levers and terminals types.

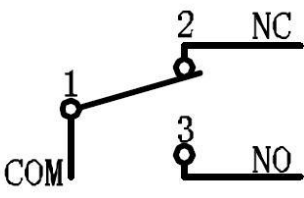
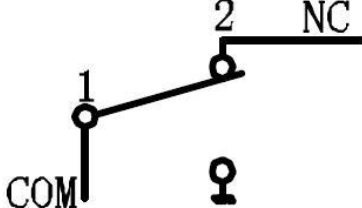
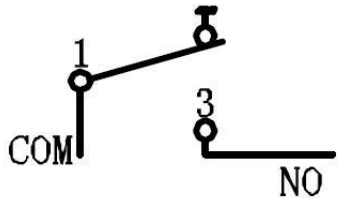
■ Parameters

Electrical Rating	G5L	25.1A 84 VDC 25.1A 60 VDC
Operating Frequency	Electrical	15 cycles/minute
	Mechanical	60 cycles/minute
Contact Resistance (Initial value)		100mΩ Max.
Insulation Resistance		100MΩ Min.
Dielectric Strength		Between Terminals: AC 1500V Between Terminals And Housing: AC 1500V
Operating Temperature		25°C ~ +85°C
Service Life	Electrical Life	50,000 cycles
	Mechanical Life	1000,000 cycles

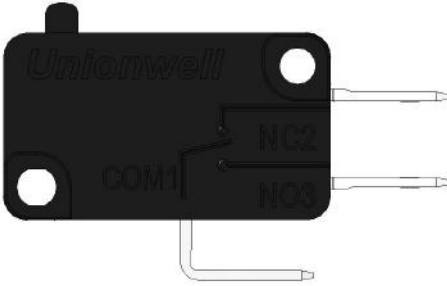
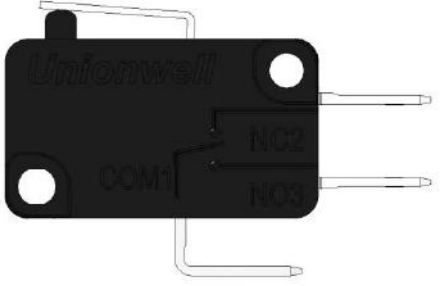
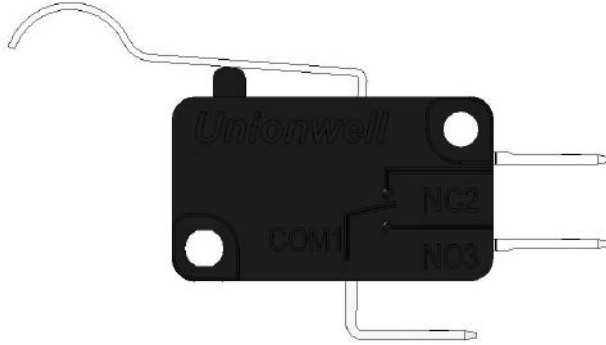
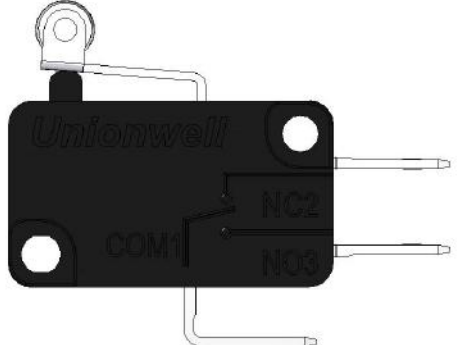
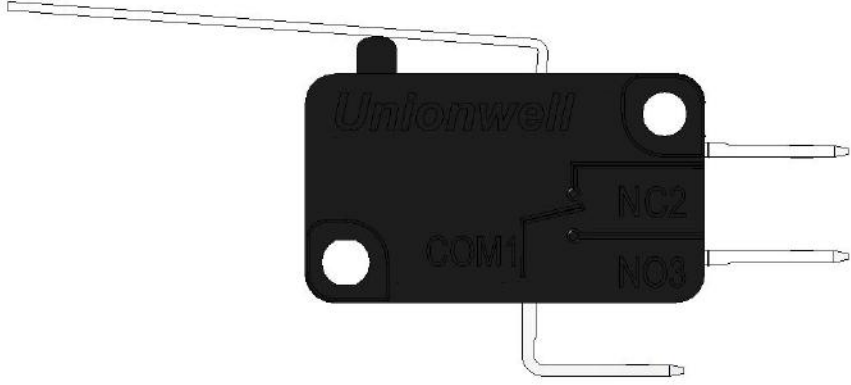
■ Terminals Type

6.3*0.8mm Quick Connect (C)	4.8*0.8 Quick Connect (D)
	
Solder Terminals (F)	
	

■ Circuit Configuration

A: SPDT	B: SPST-NC	C: SPST-NO
		

■ Lever Type

No Lever Pin Plunger	01# Straight Lever
	
120# Simulated Roller Lever	05# Roller Lever
	
2# Straight Lever	
	

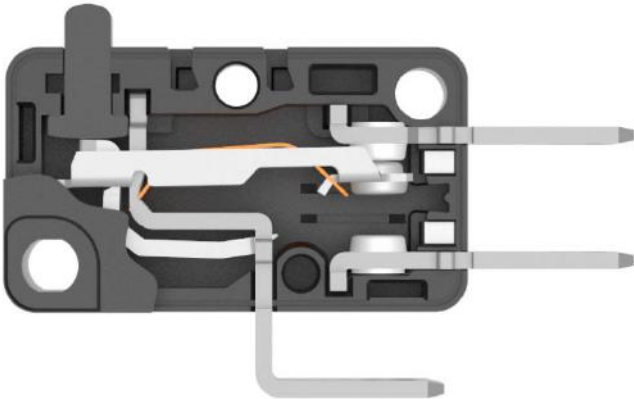
■ Dimensions

No Lever Pin Plunger	01# Short Straight Lever
2# Straight Lever	05# Roller Lever
120# Simulated Roller Lever	

■ G5L Micro Switch Ordering Instruction

G5L	30	C	A	700	A	A	T001	U								
Switch Type	Electrical Rating	Terminal Type	Circuit Code	Operating Force At Pin Plunger Max	Lever Position	Lever Type	Special Designator	Logo								
G5L Micro Switch	30	25.1A 84VDC 25T85 5E4	C	250# Quick Connect 6.30*0.8	A	SPDT	700	700gf	N	No Lever Pin Plunger	0	No Lever Pin Plunger	T001	Special Code	U	Unonwell
	25	25.1A 60VDC 25T85 5E4	D	187# Quick Connect 4.8*0.8	B	SPST-NC	800	800gf	A	Far From Pin Plunger	2	Short Straight Lever	...	Other		
			F	250# Quick Connect 6.3*1.0	C	SPST-NO			B	Near Pin Plunger	5	Roller Lever				
											120	120# Simulated Roller Lever				
											...	Other				

■ Structural Innovation Design Description



Features Description:

1. Big contact space design, reaching the standard of safety micro switch;
2. Adopted the magnet arc extinguishing design, place the magnetic needle at a close position of the contact, and the magnetic needle can have the arc extinguishing effect on NC/NO at the same time;
3. Apply the rib and groove design around the switch case and cover to prevent dust.

■ Operating Characteristics

Lever Number	Lever Type	Lever Drawings	Operating Characteristics																					
00#	No Lever Pin Plunger		<table border="1"> <thead> <tr> <th>OF Max. (gf)</th> <th>RF Min. (gf)</th> <th>PT Max. (mm)</th> <th>OT Min. (mm)</th> <th>MD Max. (mm)</th> <th>FP Max. (mm)</th> <th>OP (mm)</th> </tr> </thead> <tbody> <tr> <td>-800</td> <td>800</td> <td>300</td> <td>1.6</td> <td>0.8</td> <td>1.0</td> <td>15.3</td> </tr> <tr> <td colspan="7" style="text-align: right;">14.7±0.50</td> </tr> </tbody> </table>	OF Max. (gf)	RF Min. (gf)	PT Max. (mm)	OT Min. (mm)	MD Max. (mm)	FP Max. (mm)	OP (mm)	-800	800	300	1.6	0.8	1.0	15.3	14.7±0.50						
OF Max. (gf)	RF Min. (gf)	PT Max. (mm)	OT Min. (mm)	MD Max. (mm)	FP Max. (mm)	OP (mm)																		
-800	800	300	1.6	0.8	1.0	15.3																		
14.7±0.50																								
01#	Short Straight Lever		<table border="1"> <thead> <tr> <th>OF Max. (gf)</th> <th>RF Min. (gf)</th> <th>PT Max. (mm)</th> <th>OT Min. (mm)</th> <th>MD Max. (mm)</th> <th>FP Max. (mm)</th> <th>OP (mm)</th> </tr> </thead> <tbody> <tr> <td>-800</td> <td>800</td> <td>300</td> <td>1.6</td> <td>0.8</td> <td>1.0</td> <td>16.0</td> </tr> <tr> <td colspan="7" style="text-align: right;">15.3±0.50</td> </tr> </tbody> </table>	OF Max. (gf)	RF Min. (gf)	PT Max. (mm)	OT Min. (mm)	MD Max. (mm)	FP Max. (mm)	OP (mm)	-800	800	300	1.6	0.8	1.0	16.0	15.3±0.50						
OF Max. (gf)	RF Min. (gf)	PT Max. (mm)	OT Min. (mm)	MD Max. (mm)	FP Max. (mm)	OP (mm)																		
-800	800	300	1.6	0.8	1.0	16.0																		
15.3±0.50																								
02#	Straight Lever		<table border="1"> <thead> <tr> <th>OF Max. (gf)</th> <th>RF Min. (gf)</th> <th>PT Max. (mm)</th> <th>OT Min. (mm)</th> <th>MD Max. (mm)</th> <th>FP Max. (mm)</th> <th>OP (mm)</th> </tr> </thead> <tbody> <tr> <td>-800</td> <td>600</td> <td>90</td> <td>3.2</td> <td>1.3</td> <td>2.0</td> <td>17.8</td> </tr> <tr> <td colspan="7" style="text-align: right;">15.3±1.50</td> </tr> </tbody> </table>	OF Max. (gf)	RF Min. (gf)	PT Max. (mm)	OT Min. (mm)	MD Max. (mm)	FP Max. (mm)	OP (mm)	-800	600	90	3.2	1.3	2.0	17.8	15.3±1.50						
OF Max. (gf)	RF Min. (gf)	PT Max. (mm)	OT Min. (mm)	MD Max. (mm)	FP Max. (mm)	OP (mm)																		
-800	600	90	3.2	1.3	2.0	17.8																		
15.3±1.50																								
05#	Roller Lever		<table border="1"> <thead> <tr> <th>OF Max. (gf)</th> <th>RF Min. (gf)</th> <th>PT Max. (mm)</th> <th>OT Min. (mm)</th> <th>MD Max. (mm)</th> <th>FP Max. (mm)</th> <th>OP (mm)</th> </tr> </thead> <tbody> <tr> <td>-800</td> <td>800</td> <td>150</td> <td>3.2</td> <td>1.3</td> <td>2.0</td> <td>25.0</td> </tr> <tr> <td colspan="7" style="text-align: right;">20.6±0.80</td> </tr> </tbody> </table>	OF Max. (gf)	RF Min. (gf)	PT Max. (mm)	OT Min. (mm)	MD Max. (mm)	FP Max. (mm)	OP (mm)	-800	800	150	3.2	1.3	2.0	25.0	20.6±0.80						
OF Max. (gf)	RF Min. (gf)	PT Max. (mm)	OT Min. (mm)	MD Max. (mm)	FP Max. (mm)	OP (mm)																		
-800	800	150	3.2	1.3	2.0	25.0																		
20.6±0.80																								
120#	Simulated Roller Lever		<table border="1"> <thead> <tr> <th>OF Max. (gf)</th> <th>RF Min. (gf)</th> <th>PT Max. (mm)</th> <th>OT Min. (mm)</th> <th>MD Max. (mm)</th> <th>FP Max. (mm)</th> <th>OP (mm)</th> </tr> </thead> <tbody> <tr> <td>-800</td> <td>600</td> <td>90</td> <td>3.2</td> <td>1.3</td> <td>2.0</td> <td>15.3</td> </tr> <tr> <td colspan="7" style="text-align: right;">19.1±1.50</td> </tr> </tbody> </table>	OF Max. (gf)	RF Min. (gf)	PT Max. (mm)	OT Min. (mm)	MD Max. (mm)	FP Max. (mm)	OP (mm)	-800	600	90	3.2	1.3	2.0	15.3	19.1±1.50						
OF Max. (gf)	RF Min. (gf)	PT Max. (mm)	OT Min. (mm)	MD Max. (mm)	FP Max. (mm)	OP (mm)																		
-800	600	90	3.2	1.3	2.0	15.3																		
19.1±1.50																								

■ Applications

Widely applied in various power tools, dishwasher machines, electric hot faucets, etc.



G5L Series Micro Switch

